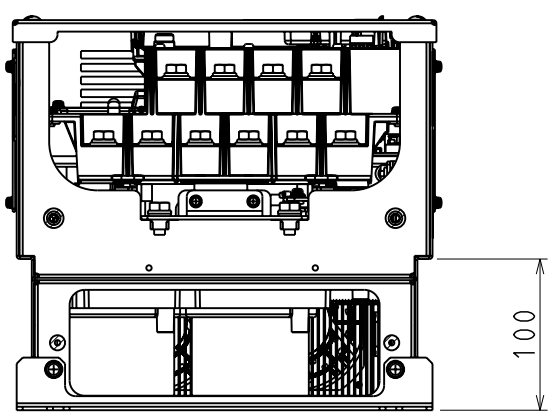
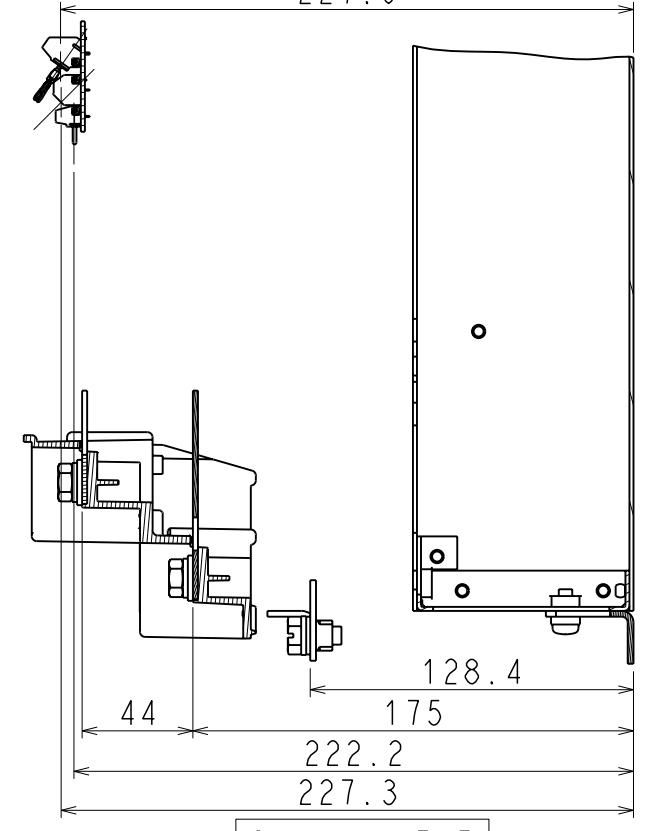
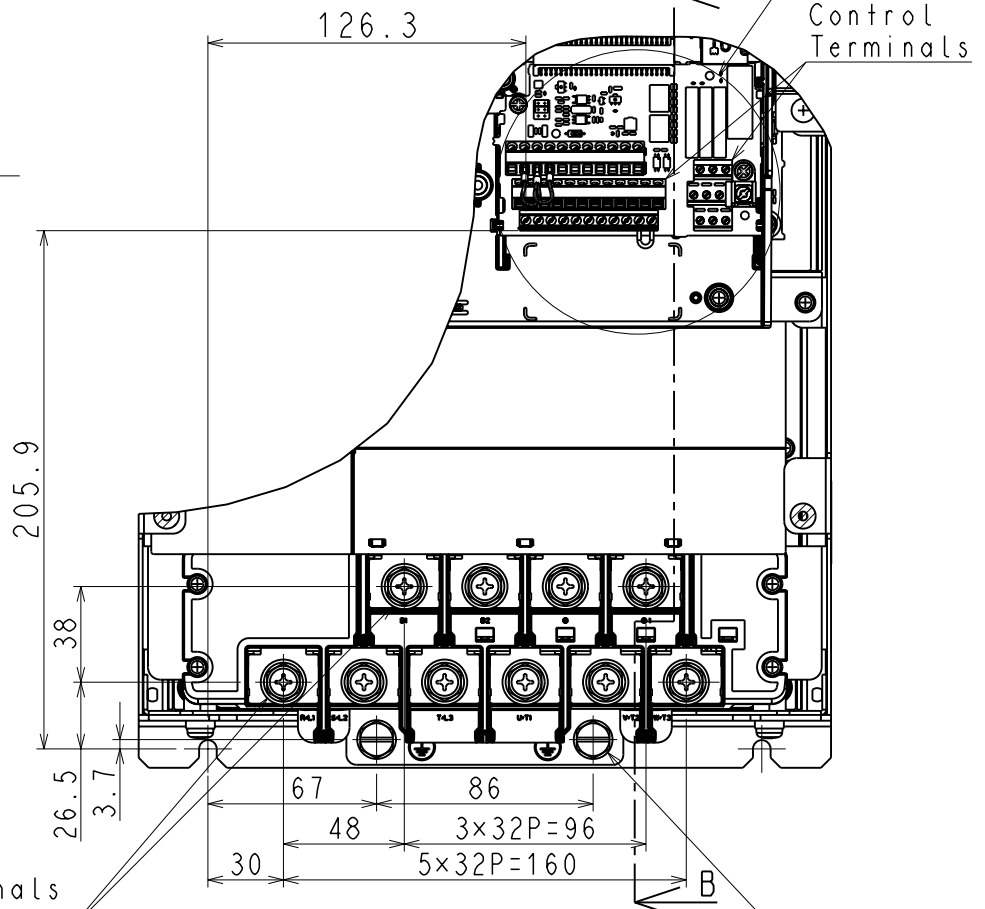
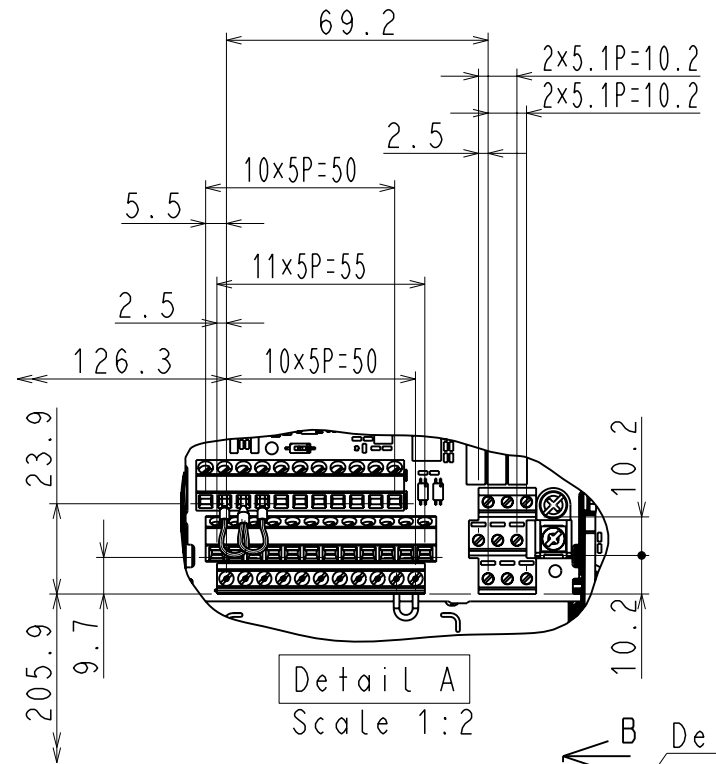
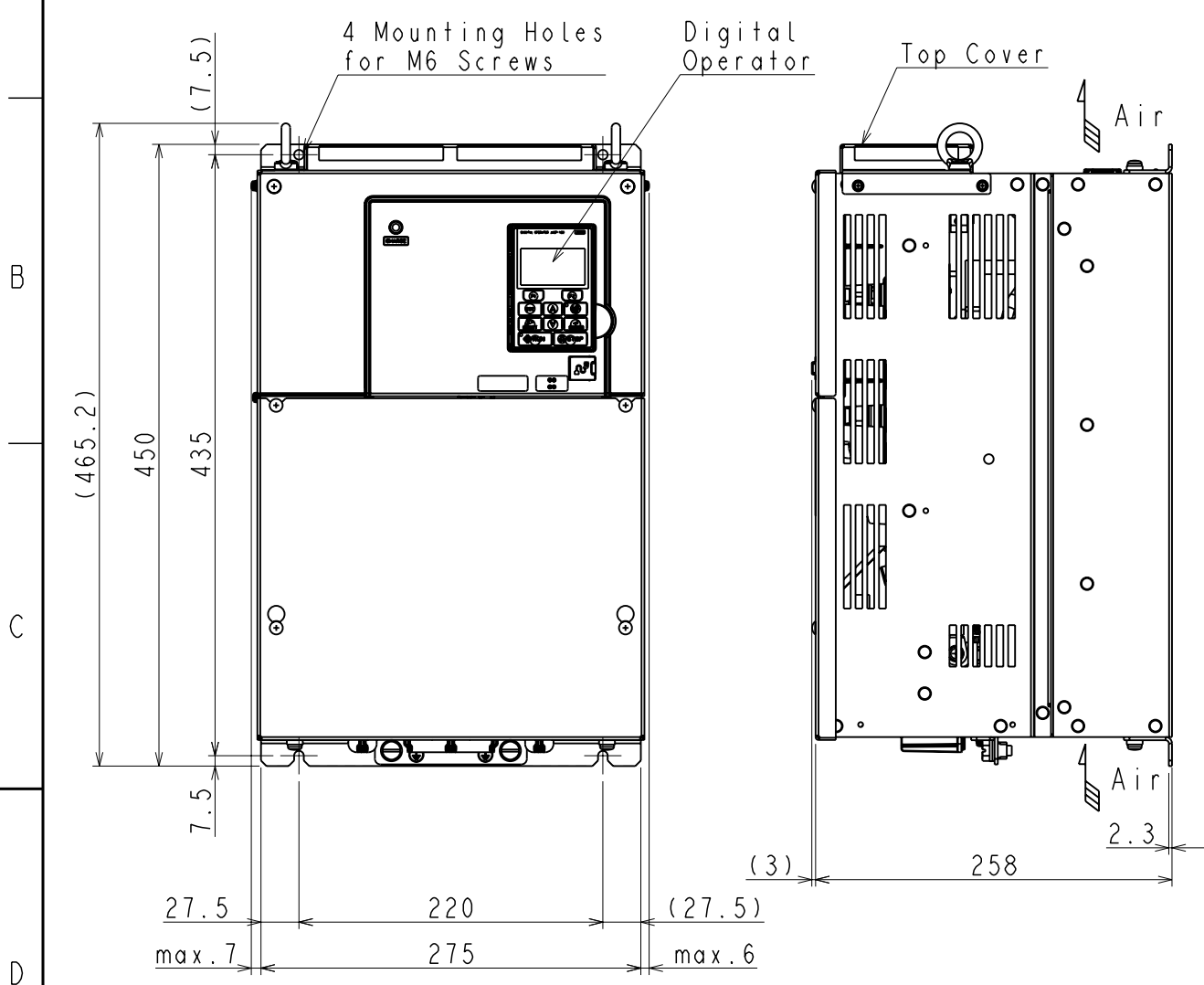


DWG.NO. EZZ902067-1/1

Model No.	Max Appli. Motor (kW)		Terminal			Symbol	Cooling Fan	Mass (kg)		
	Normal Duty	Heavy Duty	INPUT						OUTPUT(MOTOR)	
CIMR-LU4□0060D	-	30	R/L1	S/L2	T/L3	U/T1	V/T2	W/T3	2	25
CIMR-LU5□0032D	-	22	R/L1	S/L2	T/L3	U/T1	V/T2	W/T3	2	25
CIMR-LU5□0041D	-	30	R/L1	S/L2	T/L3	U/T1	V/T2	W/T3	2	25

□: A to Z

Third Angle Projection
Dimensions in mm



Main Terminals with M8 Screws
Scale 1:5

Detail (without Front cover)
Scale 1:4

Grounding Terminals with M8 Screws

Section B-B
Scale 1:3

REVISIONS	SCALE - : -		DRAW. Nov.12.2013 M. Sameshima	TITLE L1000A OPEN CHASSIS TYPE	DWG.NO. EZZ902067	1	REV.	
			CHECK M. Kojyo					1
			APPR. M. Kojyo					